

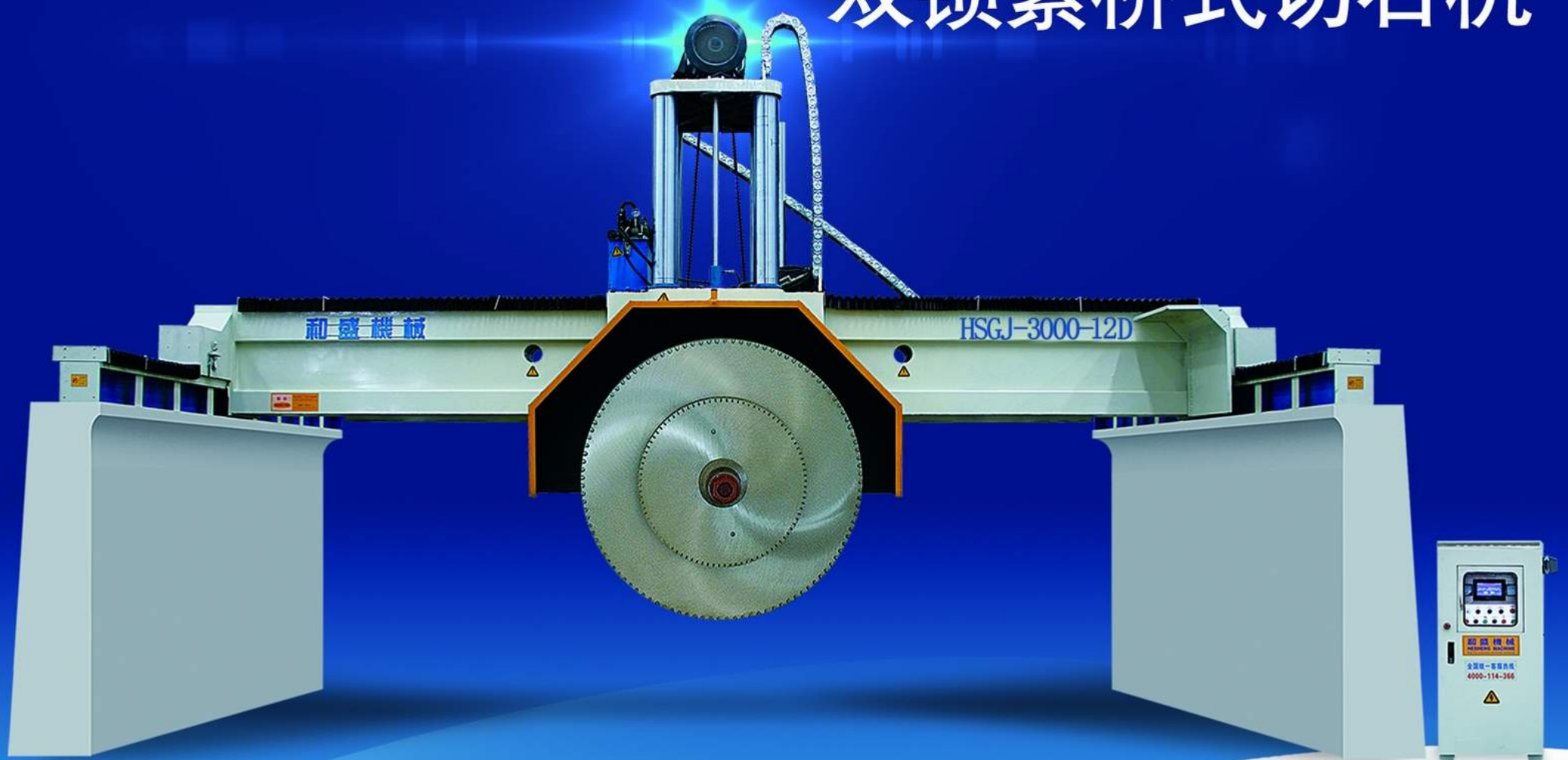


和盛机械
HESHENG MACHINE

HSGJ- $\frac{2500-8D}{3000-12D}$

Automatic Bridge Type Block Cutting Machine

双锁紧桥式切石机





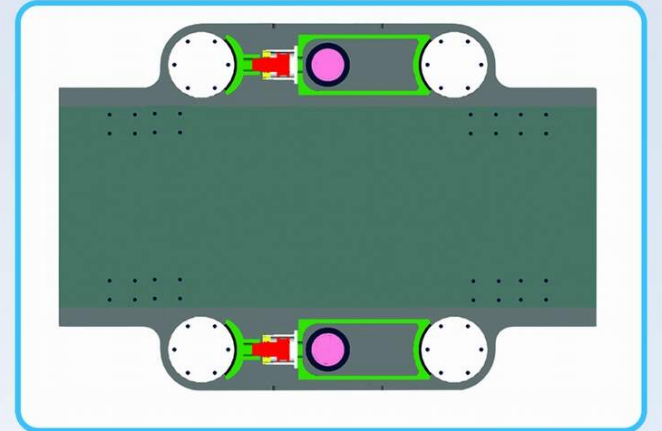
1 采用全新磨床批量加工导柱，加工精度高，质量有保证。
Use CNC boring lathe to process the hole of sliding column and headstock, to ensure the concentric and stability.



2 采用数控镗床加工柱孔、主轴箱等，有效保证同心度的加工精度，提高产品稳定性。
Sliding ways of up/down system are quantity proceed by completely new grinding machine, for the purse of high precision and quality.



7 采用独创液压锁紧装置，在机械有磨损或切割过程中可减小机身间隙，有利于提高板材的平整度和延长刀头使用寿命。
Patented Looking Device is used to reduce the spacing of parts of machine from friction, this will maximum increase the cutting precision (*选配 Alternative).



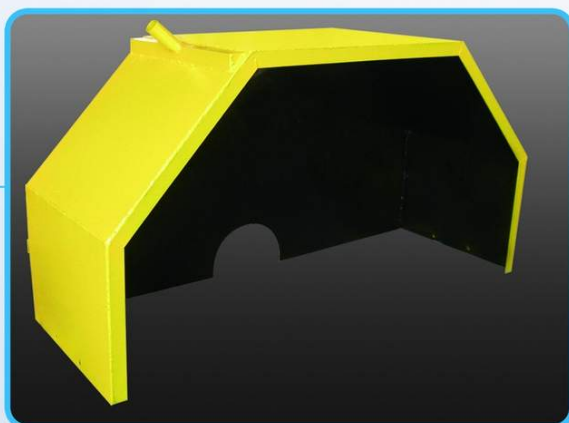
3 机器主要部件采用数控加工机床加工，确保元件加工精度。
Processing precision of machine parts and components are ensured, due to the adoption of CNC drilling machine.



4 导柱升降采用润滑油来润滑，每一星期添加一次，大大减少维护次数。
Up/Down column movements are lubricated by lubricating oil, which should be added once a week, it will reducing the machine maintenance frequency.



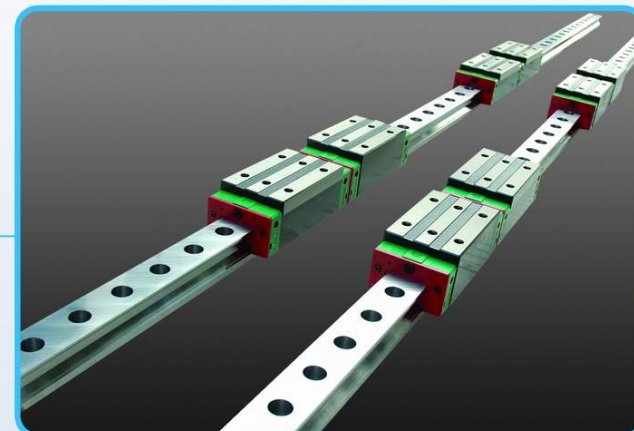
8 横梁两端架采用液压锁紧装置，可进一步提高机台切割的稳定性，使板材平整度和刀头使用寿命都有显著提高。
"Hydraulic locking device" which using on the end frame of crossbeam, can further improve the stability of cutting, and markedly improve flatness of cutting and the using-life of blade tools. (*选配 Alternative)



5 水罩采用3mm厚钢板制作，内部采用沥青做防锈处理。
Blade Cover is made up of 3mm steel-plate, painted with asphaltum for anti-rust.



6 采用全新复合材料“纳米尼龙”布料，有防水、防尘、抗拉力防磨损等特点，使用可拆式拉链结构有利于方便更换。
A new composite materials called "nano-nylon" cloth which with the characteristics of waterproof, dustproof, anti-rallyof anti-wear, was used; and the use of detachable zipper will enable a easy replacement of it.



9 横梁左右行走机构采用台湾进口线性导轨，切割稳定性高，使用寿命长，易于更换等诸多优点。
Linear guide path imported from Taiwan is used on the transverse moving structure, this will ensure the high stability of cutting, endure it is service time, easy to replace.



10 油箱总成：油泵、电磁阀等均采用台湾进口原件。
Oil Tank Assembly: including Oil Pump, Electromagnetic Valve and other components adopted are imported from Taiwan.

HSGJ-2500-8D 3000-12D

双锁紧桥式切石机

Automatic Bridge Type Block Cutting Machine

本机是采用大跨度横梁结构，整体机身重；横梁导轨采用进口线性轨道；机身升降结构采用四立柱式液压升降，同时采用专利技术：立柱及边梁，在切割时有液压锁紧装置，确保切割时机身不晃动，切割效率好，板材平整度高，是切割大规格高价值进口大荒料的理想设备。

1. Configured with automatic PLC control system. The cutting slab size and quantity are programmed from the control panel and visualized on touch screen.
2. Maximal diameter of blade 3000mm (single blade only), width of slab can be 1300mm
3. Both imported and homemade High-precision electrical components are used, such as, PLC (Japan); Linear Guide (Taiwan); Hydraulic Cylinder (Germany)...and so on.
4. The patented "Hydraulic Locking" technology and total cast iron construction structure, enable this very sturdy machine of NO Vibration during cutting, hence to maximizing its cutting accuracy.
5. OPTIONAL: main motion motor with a inverter controlled for variable speed.
6. CUSTOMIZATION: a horizontal blade can be customized for cutting marble block.



行走轮调整装置
Adjusting device of running wheel



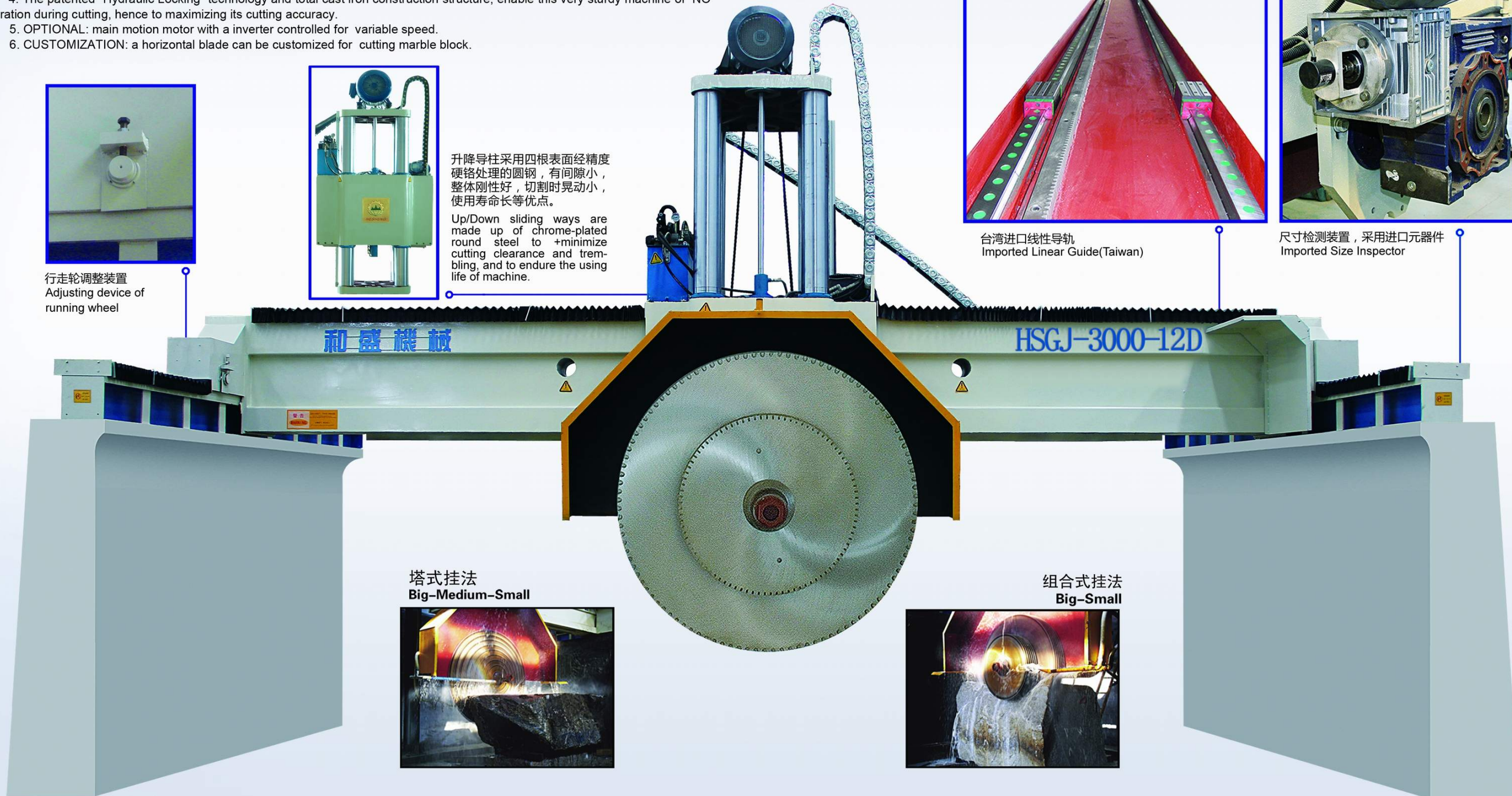
升降导柱采用四根表面经精度硬铬处理的圆钢，有间隙小，整体刚性好，切割时晃动小，使用寿命长等优点。
Up/Down sliding ways are made up of chrome-plated round steel to minimize cutting clearance and trembling, and to endure the using life of machine.



台湾进口线性导轨
Imported Linear Guide(Taiwan)



尺寸检测装置，采用进口元器件
Imported Size Inspector



塔式挂法
Big-Medium-Small



组合式挂法
Big-Small



无线遥控
Radio Remote





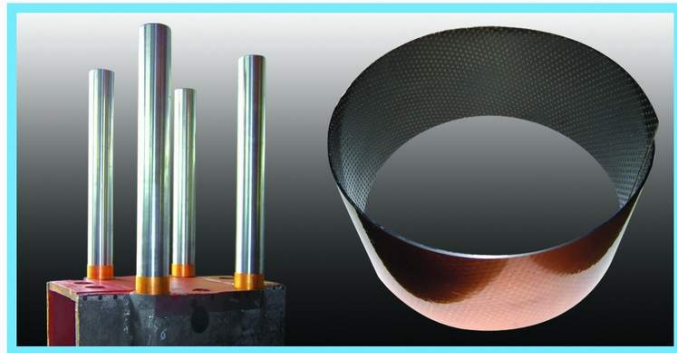
电路系统采用PLC电脑控制系统，可任意设定切割方式、切割片数、厚度，以及下刀深度等等。所用电气元件采用进口优质电气原件及国内高精度零配件。

Cutting mode, quantity and thickness of slab, feeding depth can be view and set thru PLC computer control system (Both imported and homemade high-precision electrical components are used)



下刀量采用旋转编码器检测，精度高，同时可任意设定上、下行程位置，减小人员劳动强度。

Feeding depth is measured by Rotary Encoder to ensure its High-precision, meanwhile, upper and lower traveling distance can be set to reduce the labor intensity of worker.



升降导柱与中座接触面采用表面轧制美国杜邦“聚四氟乙烯”聚合物材料的导套；导套表面轧制成圆形储油坑，在少油或间隙断油条件下能正常工作，具有摩擦系数低，耐磨性能好，使用寿命长等优点。

A guiding polymer materials (Teflon, Brand Dupont) was used on the contact surface between up/down column and seat. Such guiding material is rolling into a circular storage pits, in less oil or oil under the conditions of space off to work with a low coefficient of friction, wear resistance and long service life, etc..



升降油缸采用进口油封，稳定性高，大大延长使用寿命

Up/Down oil cylinder adopt the imported oil seal. High stability with much longer using life.

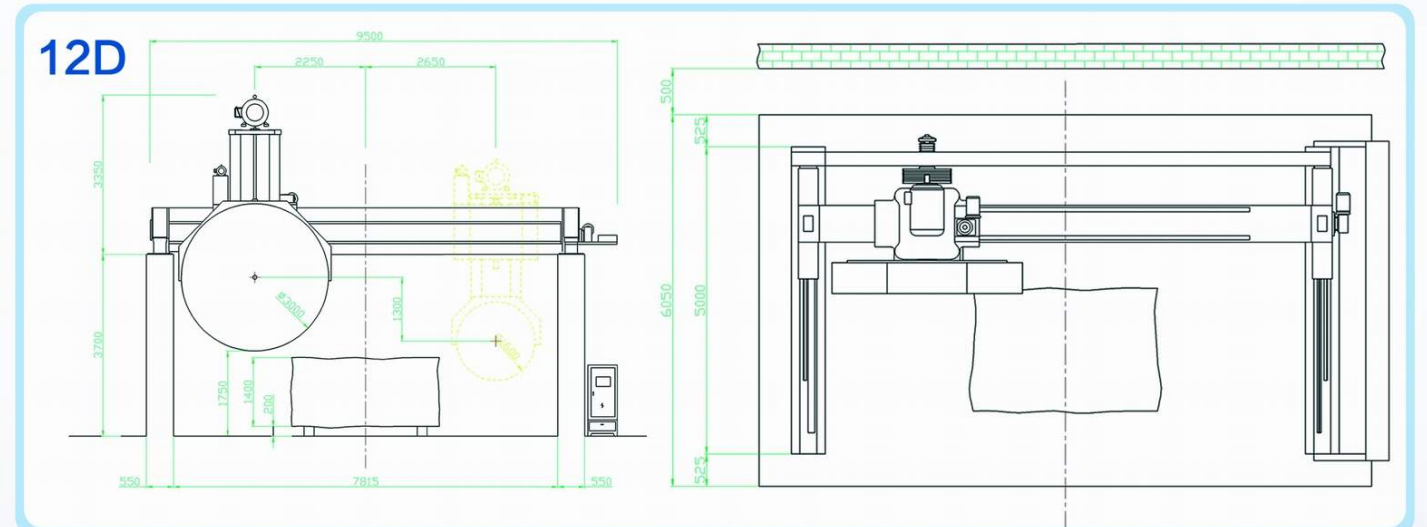
型号 model	HSGJ-2500-8D		HSGJ-3000-12D			
锯片最多数量(锯片挂法) No. of Blade (Blade Combination)	8(塔式挂法) Big-Medium-Small	12(塔式挂法) Big-Medium-Small	14(组合式挂法) Big-Small Ø1650x7+Ø980x7	16(组合式挂法) Big-Small Ø1650x8+Ø980x8	18(组合式挂法) Big-Small Ø1650x9+Ø980x9	P
锯片最大直径 Max. blade diameter	Ø2500	Ø3000	Ø1650	Ø1650	Ø1650	mm
横梁长度(边梁中对中) Crossbeam Length (Middle point between two side bridge distance)	7500(7780)	8000(8365)	8000(8365)	8000(8365)	8000(8365)	mm
左右行程 Left/Right working range	3200-4300	3500-4800	3500-4800	3500-4800	3500-4800	mm
最长前后行程(边梁长) Front/Back working range(Side Bridge Length)	2000(4500)	2500(5000)	2500(5000)	2500(5000)	2500(5000)	mm
升降行程 Up/Down working range	1100(1350)	1400	1400	1400	1400	mm
主电机功率 Main Motor	45	55 /65	65	75	90	KW
耗水量 Water consumption	14	20	26	30	34	m ³ /h
外形尺寸(长x宽x高) Overall dimension(L*W*H)	8700x4500x6500	9200x5000x6800	9200x5000x6800	9200x5000x6800	9200x5000x6800	mm
主轴箱主轴直径 Shaft Diameter of spindle box	Ø100	Ø100	Ø100(Ø120)	Ø120	Ø120	mm
重量 Gross weight	≈ 13.5	≈ 20	≈ 21.5	≈ 21.5	≈ 22	T

以上红色项目为：可以根据客户特殊定制选项。主轴箱传动可分直轴传动，和双轴传动。直轴传动优点：故障率低；缺点：切石头宽度1.6以内。双轴传动优点：石头宽度2.5米以内都可切割；缺点：故障率高。

Above red technical data are the option for customer special order. two type of Spindle box: Straight-shaft spindle box/Double-shaft spindle box. Straight-shaft driving: low failure rate, cut the block width within 1600mm. Double-shaft driving: cut the block width up to 2500mm. higher failure rate.

若因产品的更新，所有的外观及技术指标以产品实物为主。

Due to the renovation, all appearance and specification of this print shall subjected to the final machine products.



实例
展示

和盛机械铭盛有限公司
HESHENG MACHINE MINGSHENG CO.,LTD.



福建省晋江市和盛机械有限公司
FUJIAN JINJIANG HESHENG MACHINE CO.,LTD

ADD: 福建省晋江市安海镇梧山工业路6号
新厂址: 福建省泉州市铭盛机械有限公司
ADD: 福建省南安市水头镇海联创业园

TEL: (0086)0595-85787366 85707366 FAX: (0086)0595-85799366
全国统一客服热线: 4000-114-366
Http://www.chinahesheng.com www.stonemachinery.net
E-mail: hesheng@chinahesheng.com info@chinahesheng.com

服务号: heshengjx 公众帐号: 和盛石材机械



手机站二维码



微信号二维码